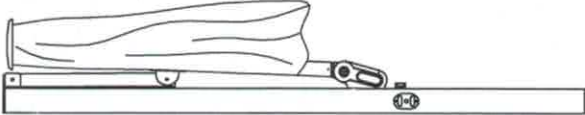
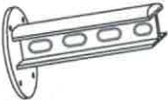

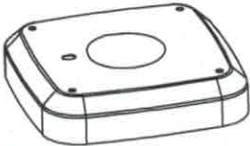







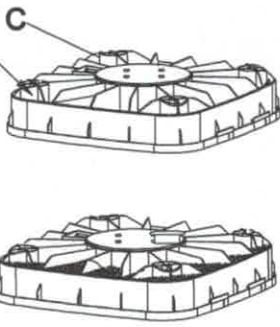


REF	QTY	
A	1	
B	1	
C	1	
D	1	
E	1	
F	4	
G	1	
H	1	
I	1	
J	1	
K	1	

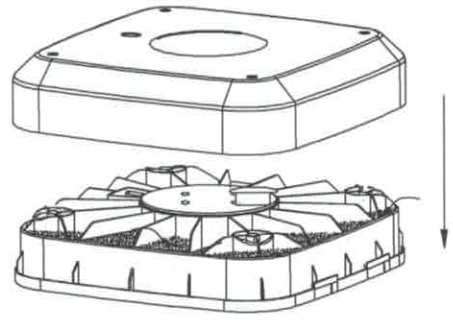
1

Sand

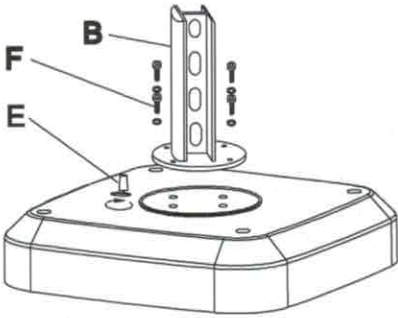


Fill up the plastic base with sand, minimum weight of the sand is 100kg, order to keep satbilization of the base, extra water recommended.

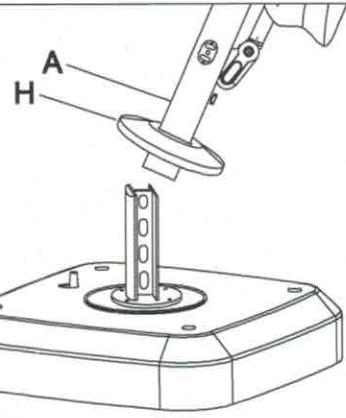
2



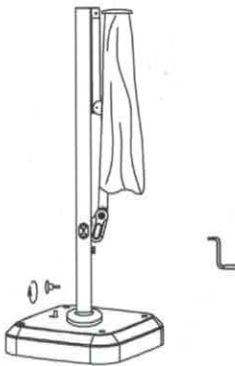
3



4



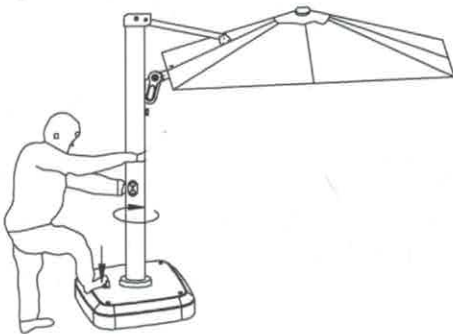
5



6



7



8

